



1301 Westinghouse Blvd Suite I
Charlotte, NC. 28273

Email: support@csibathware.com
Phone: 704-843-9292
Fax: 704-943-0675

SPLASH SERIES PEAK GRAB BAR

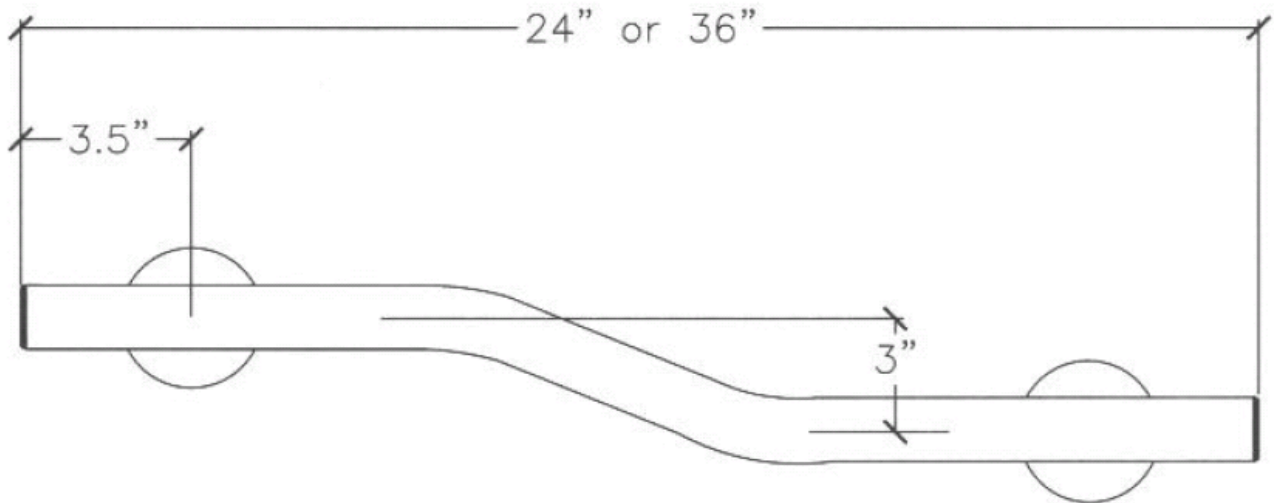
- Material: 304 Stainless Steel

- Available Finishes:

- Satin Stainless
- Polished Chrome
- Satin Nickel
- Oil Rubbed Bronze
- Polished Brass
- Matte Black
- Shur-Grip Chrome
- Shur-Grip Satin Stainless

- Dimensions:

- Length (A = total length of grab bar): 24" or 36"
- Distance between mounting fixtures (flange center to center): A - 7"
- Distance of elevation: 3" from center to center



IMPORTANT INSTRUCTIONS

Installation must ALWAYS comply with your state and local codes



READ AND SAVE THESE INSTRUCTIONS



Read carefully before attempting to assemble, install, operate or maintain this product. Protect yourself and others by observing all safety information. Failure to comply with instructions could result in personal injury and/or property damage! Retain instructions for future reference

COMPLIANCE

When securely installed per instructions, by a licensed professional, Great Grabz grab bars meet 250 pound load test requirements.

WARNING

Concealed in-wall support backing is ALWAYS REQUIRED for this product (not included and must be selected and installed by a licensed professional).

Do not force the bars thru the fixture! (This can damage the finish.)

Avoid damage to enclosures, walls, tiles, fasteners and support structure by not over tightening the fasteners.

CAUTION

Personal injury and or property damage may result from improper installation practices such as inadequate support and fasteners.

SAVE THESE INSTRUCTIONS



1301 Westinghouse Blvd Suite I
Charlotte, NC. 28273

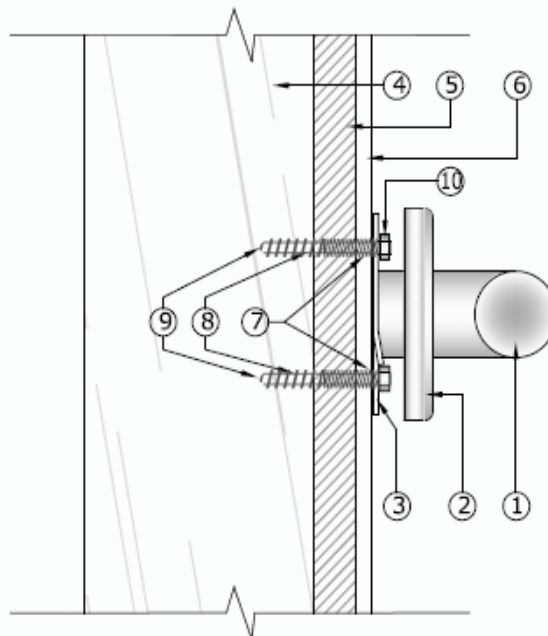
Email: support@csibathware.com
Phone: 704-843-9292
Fax: 704-943-0675

INSTALLATION INSTRUCTIONS:

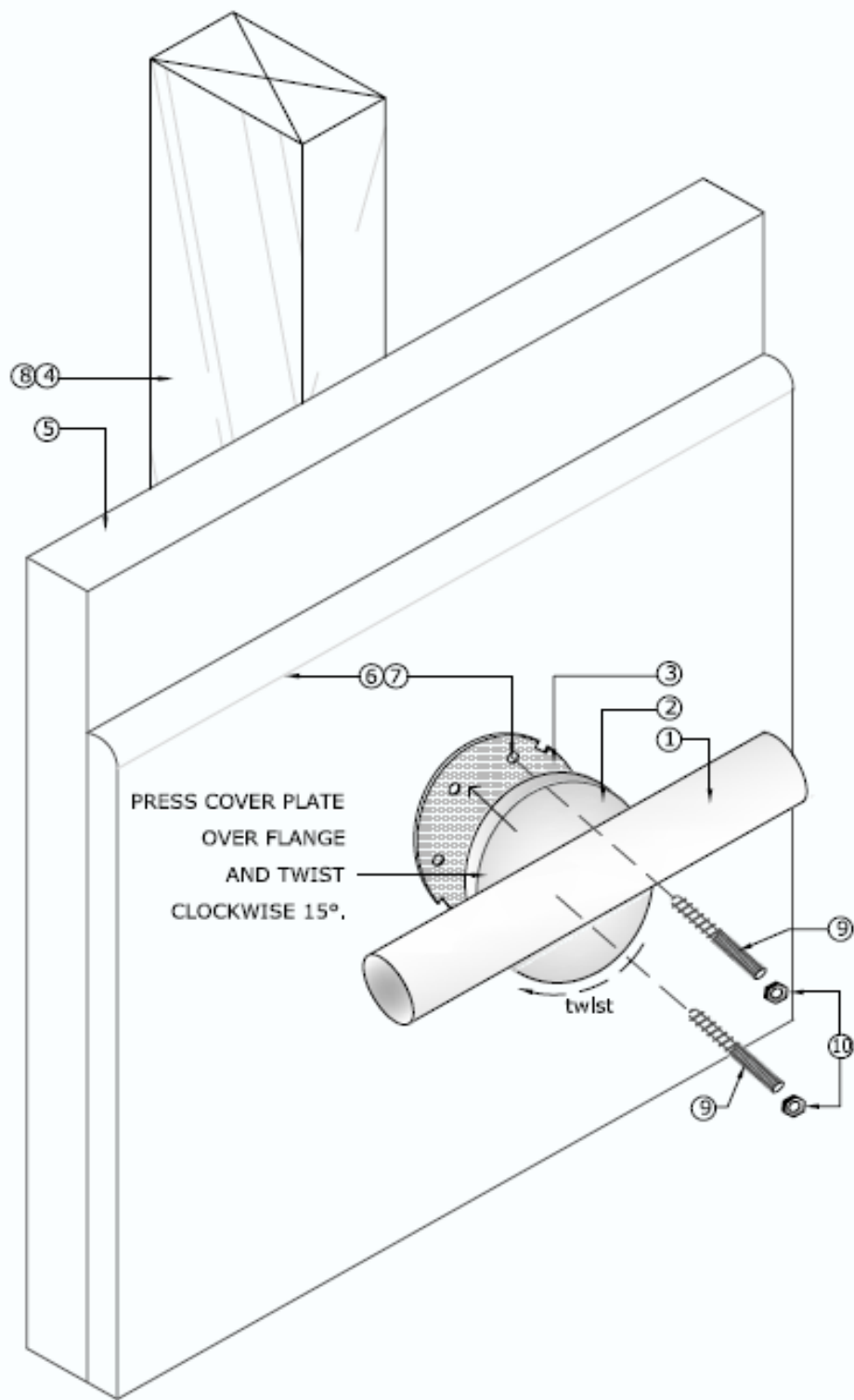
Installation Notes:

1. Bar as Selected
2. Flange Cover Plate
3. Flange
4. Wood Stud
5. Drywall
6. Tile
7. 1/4" (6mm) Diameter Hole – **THROUGH TILE ONLY**
8. 1/8" (3mm) Diameter Pilot Hole into Wood Stud
9. 10/24" x 2" Threaded Stainless Steel Hanger Bolt
10. Threaded Stainless Steel Bolt Nut

1. Read ALL safety warnings before installing the grab bar.
2. Locate wall stud or previously installed backer board.
3. Use the enclosed template to mark the mounting hole locations. (We recommend using a level to achieve perfect horizontal or vertical mounting.)
4. Drill 1/8" (3mm) diameter pilot hole into wood stud.
 - a. If wall is tiled, drill through the tile with a 1/4" (6mm) diameter masonry drill bit.
5. Drive hanger bolt directly into wood stud using hanger bolt driver leaving 1/4" of thread exposed.
6. Place Flange over exposed hanger bolt.
7. Screw bolt nut onto hanger bolt.
8. After flange is secured, apply bead of clear sealant around bottom rim of flange cover plate and carefully align the cover plate locking tabs with the slots in the flange.
9. Turn the flange cover plate 15 degrees clockwise to secure.

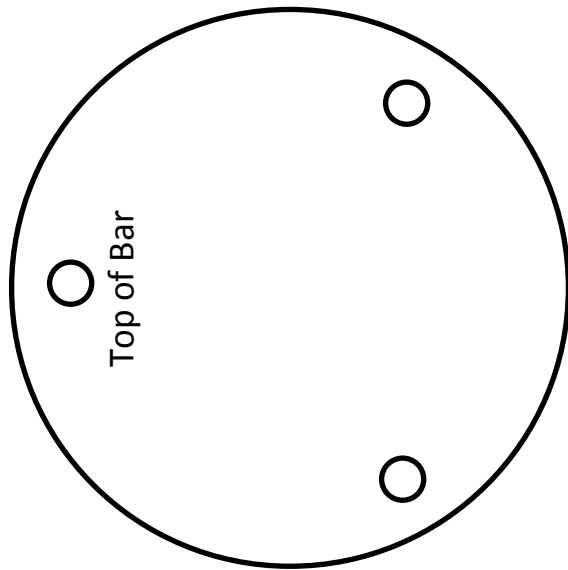
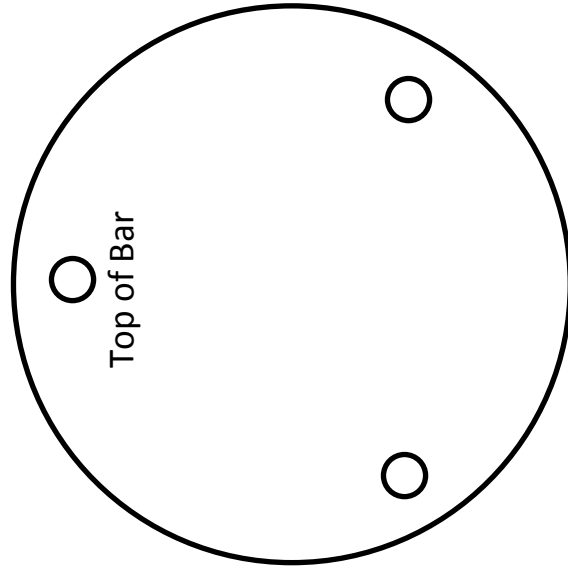


SECTION
1" = 3"



ISOMETRIC VIEW
 NO SCALE

Great Grabz Mounting Template





GREATGRABZ
by CSI Bathware

WE APPRECIATE YOUR BUSINESS!

PEAK