

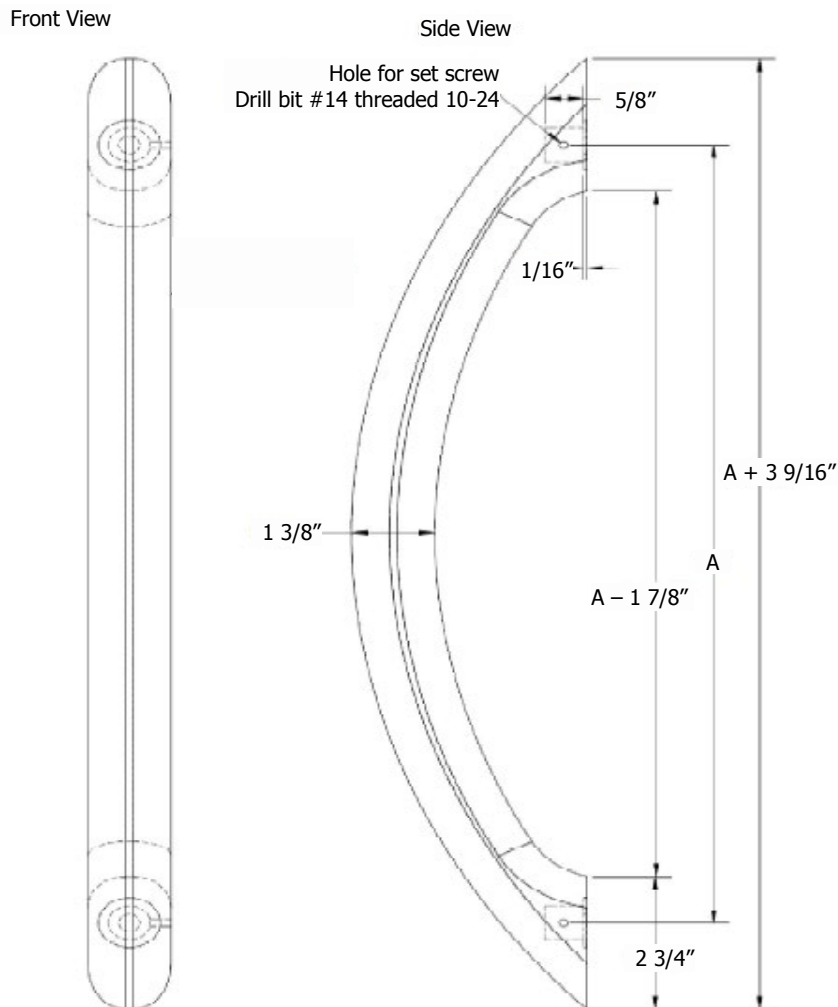


1301 Westinghouse Blvd Suite I  
Charlotte, NC. 28273

Email: support@csibathware.com  
Phone: 704-843-9292  
Fax: 704-943-0675

## UNIQUE TOUCH HERITAGE GRAB BAR

- Material: 100% Optical Quality Acrylic
- Available Colors:
  - Translucent Clear
  - Translucent Charcoal
  - Translucent Aquamarine
  - Opaque Snow
  - Opaque Sand
  - Midnight Stone
- Dimensions:
  - Length:  $A + 3 \frac{9}{16}''$  = total length of grab bar, interior foot print =  $A - 1 \frac{7}{8}''$
  - Distance between mounting post hole = A
  - Available lengths = 12'', 16'' and 24''



## **IMPORTANT INSTRUCTIONS**

Installation must ALWAYS comply with your state and local codes



### **READ AND SAVE THESE INSTRUCTIONS**



Read carefully before attempting to assemble, install, operate or maintain this product. Protect yourself and others by observing all safety information. Failure to comply with instructions could result in personal injury and/or property damage! Retain instructions for future reference

### **COMPLIANCE**

To prevent serious injuries, do not use this bar for individuals weighing more than 300 lbs.

### **CARE**

The Unique Touch grab bar is 100% cast acrylic. Clean using a soft cloth and a mild soap containing no abrasives or solvents. For minor touch ups of scratches, use a polishing compound made for acrylic surfaces.

### **WARNING**

Concealed in-wall support backing is ALWAYS REQUIRED for this product (not included and must be selected and installed by a licensed professional).

Avoid damage to enclosures, walls, tiles, fasteners and support structure by not over tightening the fasteners.

### **CAUTION**

Personal injury and or property damage may result from improper installation practices such as inadequate support and fasteners.

---

**SAVE THESE INSTRUCTIONS**



1301 Westinghouse Blvd Suite I  
Charlotte, NC. 28273

Email: support@csibathware.com

Phone: 704-843-9292

Fax: 704-943-0675

---

## INSTALLATION INSTRUCTIONS:

### WARNING

**READ ALL SAFETY WARNINGS BEFORE INSTALLING THE GRAB BAR**

- **FOR INSTALLATION ON DRY-WALL OR WALLS WITH LESS THAN ½” THICKNESS:**

1. Turn bar over and view the two mounting holes - one at each end of grab bar. Measure the distance center to center of these holes. This measurement should correspond to the measurement shown on the product packaging. Choose the location for the grab bar on the wall and using a measuring tape, place a mark indicating the center of each hole. If installing the bar in a horizontal or vertical position, use a level to ensure accuracy and be sure to recheck center-to-center measurements before drilling holes.
2. Drill two 3/4"holes having the same center-to-center distance as the bar.
3. Beginning with the first hole. Hold the metal channel of the SnapToggle® (7) flat alongside the plastic straps and slide the channel through the hole.
4. Hold ends of the straps (6) between your thumb and forefinger and pull toward you until the channel rests flush behind the wall.
5. Screw the threaded rod (5) into the SnapToggle®, turning 4-5 times by hand.
6. Insert the washer (4) on the rod between the plastic straps.
7. Twist insert (3) onto the threaded rod (pull the SnapToggle® toward you) until everything is firmly pressed to the wall. Make sure to center the washer. Plastic straps should break, otherwise cut them and fold them up in the holes. The plastic straps will no longer be needed.
8. Repeat steps 3 to 7 for the second hole.
9. Fit the handle on the insert and ensure it is it firmly supported against the wall. Unscrew inserts slightly to adjust them to center if necessary.
10. Insert Allen Screw (1) into hole located under the handle until it touches the insert.

**STOP SCREWING WHEN THE SCREW TOUCHES THE INSERT.**

**Do not force the screw or over tighten - the acrylic will crack.**

11. It is very important to seal the space between the bar and the surface it is attached to with silicone if it is in contact with water.

# INSTALLATION INSTRUCTIONS CONT'D:

## WARNING

READ ALL SAFETY WARNINGS BEFORE INSTALLING THE GRAB BAR

- **FOR INSTALLATION ON HARD WALL OR INTO A STUD:**

1. Turn bar over and view the two mounting holes - one at each end of grab bar. Measure the distance center to center of these holes. This measurement should correspond to the measurement shown on the product packaging. Choose the location for the grab bar on the wall and using a measuring tape, place a mark indicating the center of each hole. If installing the bar in a horizontal *or* vertical position, use a level to ensure accuracy and be sure to recheck center-to-center measurements before drilling holes.
2. Drill two 1/8" holes having the same center-to-center distance as the bar.
3. Beginning with the first hole, place the insert (4) and washer (5) onto the screw (3).
4. Insert the screw into the wall and tighten until the assembly is firmly supported; make sure to center the washer.
5. Repeat steps 3 and 4 for second hole.
6. Install the handle on the insert and ensure the mount is firm. If additional adjustment is necessary, loosen the screw and reposition the insert in an easy way to be entered in the handle.
7. Insert Allen Screw (1) in the hole located under the handle until the screw touches the insert.

**STOP SCREWING WHEN THE SCREW TOUCHES THE INSERT.**

**Do not force the screw or over tighten - the acrylic will crack.**

8. It is very important to seal the space between the bar and the surface it is attached to with silicone if it is in contact with water.