



1301 Westinghouse Blvd Suite I  
Charlotte, NC. 28273

Email: support@csibathware.com  
Phone: 704-843-9292  
Fax: 704-943-0675

## SIGNATURE SERIES HORIZON GRAB BAR

- Material: 304 Stainless Steel (metal bar and mounting fixtures)  
Acrylic  
Teak

- Available Finishes:

Metal:

Satin Stainless  
Polished Chrome  
Satin Nickel  
Oil Rubbed Bronze  
Polished Brass

Acrylic Bar:

Translucent Aquamarine  
Translucent Clear  
Translucent Charcoal  
Opaque Snow  
Opaque Sand  
Midnight Stone

Mounting Fixtures:

Satin Stainless  
Polished Chrome  
Satin Nickel  
Oil Rubbed Bronze  
Polished Brass

- Dimensions:

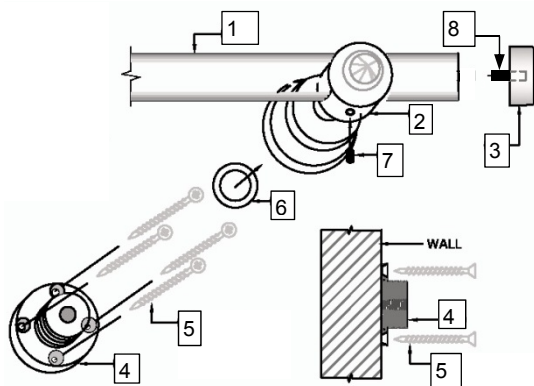
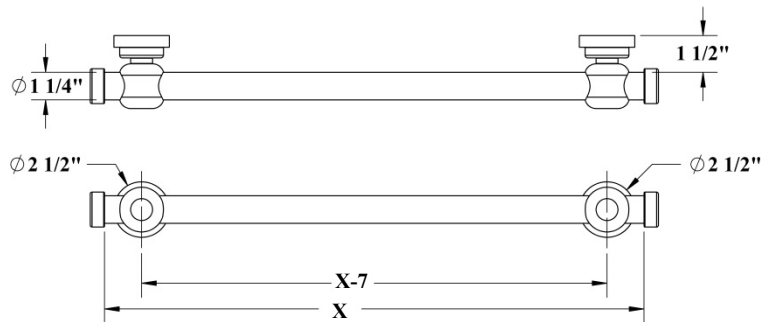
- Length (X = total length of grab bar):

Metal Bars: 10", 18", 24", 30", 36" and 42"

Acrylic Bars: 10", 18", 24", 36" and 42"

Teak Bars: 10", 12", 18", 20", 24", 30", 36" and 42"

- Distance between mounting fixtures (flange center to center):  $X - 7"$



### PARTS NEEDED FOR INSTALLATION:

1. Grab Bar
2. Mounting Fixture
3. End Cap (metal bars only)
4. Mounting Plate
5. Eight (8) 2" Mounting Screws (Not included)
6. Rubber Washer
7. M8x1.25 Cup Point Set Screw (6 mm long)
8. M8x1.25 Cup Point Threaded Rod (20 mm long) (metal bars only)

## IMPORTANT INSTRUCTIONS

Installation must ALWAYS comply with your state and local codes



### **READ AND SAVE THESE INSTRUCTIONS**



Read carefully before attempting to assemble, install, operate or maintain this product. Protect yourself and others by observing all safety information. Failure to comply with instructions could result in personal injury and/or property damage! Retain instructions for future reference

### **COMPLIANCE**

When securely installed per instructions, by a licensed professional, Great Grabz grab bars meet 250 pound load test requirements.

### **WARNING**

Concealed in-wall support backing is ALWAYS REQUIRED for this product (not included and must be selected and installed by a licensed professional).

Do not force the bars thru the fixture! (This can damage the finish.)

Avoid damage to enclosures, walls, tiles, fasteners and support structure by not over tightening the fasteners.

### **CAUTION**

Personal injury and or property damage may result from improper installation practices such as inadequate support and fasteners.

---

**SAVE THESE INSTRUCTIONS**



1301 Westinghouse Blvd Suite I  
Charlotte, NC. 28273

Email: support@csibathware.com

Phone: 704-843-9292

Fax: 704-943-0675

---

## INSTALLATION INSTRUCTIONS:

**NOTICE:** Eight (8) 2” screws applicable for your project are required but not included due to the variety of installation surfaces (wood stud, metal stud, tile, backer board, etc.).

### WARNING

**DO NOT FORCE THE BAR INTO THE FIXTURE! THIS WILL DAMAGE THE FINISH.**

1. Read **ALL** safety warnings before installing the grab bar.
2. Use the enclosed template to mark the mounting hole locations. (We recommend using a level to achieve perfect horizontal or vertical mounting.)
3. Carefully center the mounting plate over the mounting hole locations marked in Step 2 above then secure mounting plate to the wall with 4 screws, applicable for your project.
4. Apply bead of clear sealant around bottom rim of fixture and carefully thread the mounting fixture onto the mounting plate until it is tight against the wall.

Note: The set screw hole should be located on the underside of the fixture for best appearance.

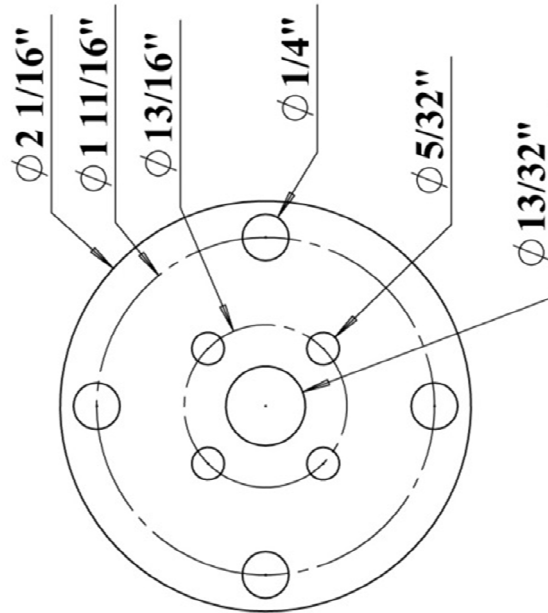
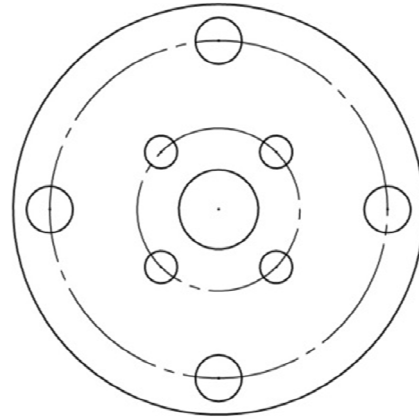
5. Insert one end of the bar into one of the two fixtures.
6. Line up the other end of the bar with the second fixture by carefully turning the bar through the hole.

**WARNING: DO NOT FORCE THE BAR INTO THE FIXTURE! THIS WILL DAMAGE THE FINISH!**

7. Move the bar until ends are 3 ½ “ from the mounting fixtures.
8. Insert and tighten the set screws (#7) to keep the Grab Bar from shifting or rotating.
9. Secure the end cap set screw (#8) into both end caps (metal bars only).
10. Screw the end caps on to both ends of the grab bar (metal bars only).



# Great Grabz Mounting Template





WE APPRECIATE YOUR BUSINESS!

HORIZON